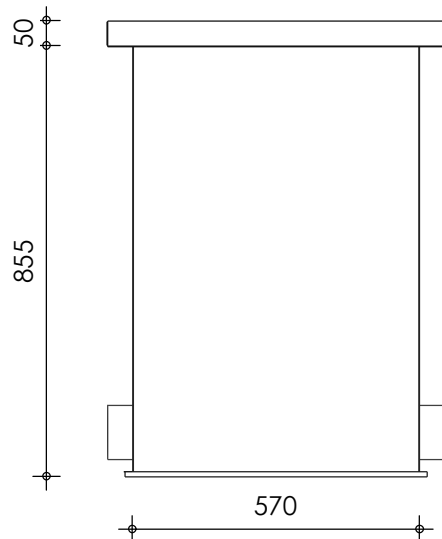
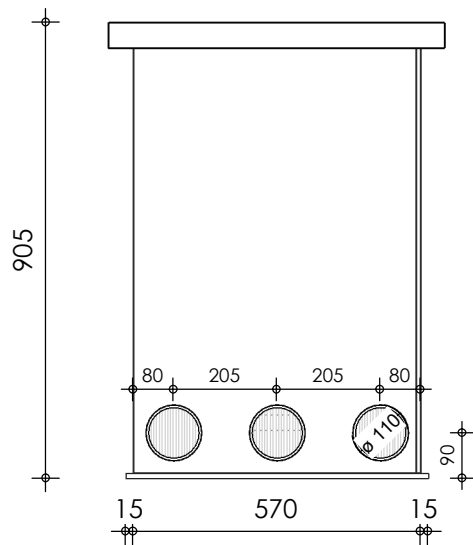


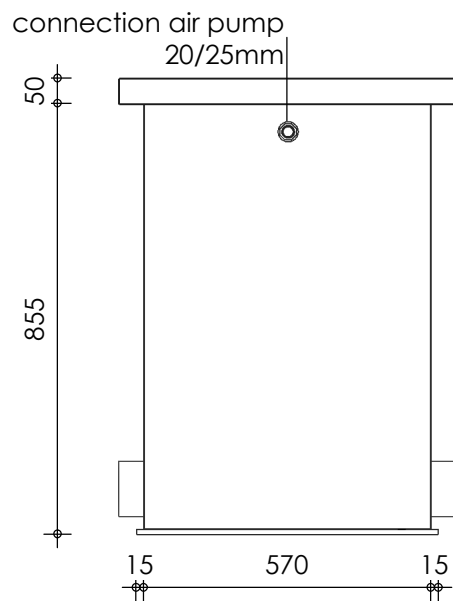
Front view



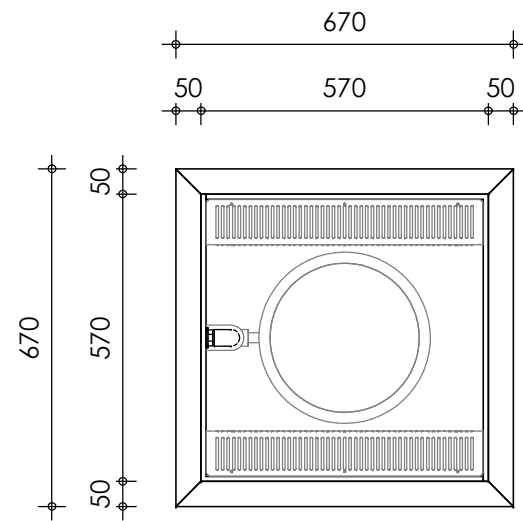
Right-side view



Rear view



Left-side view



Top view

**description:**  
BK60 - bio chamber

**scale :**  
1 : 15

**date :**  
2020